

# Manual NAS-8

Thank you for buying a case from Inter-Tech.

## Intendend use:

This case is only for indoor use and for use as computer case.

## Safeties:

We recommend to read the manual carefully and to mount the components as written hereinafter. We disclaim liability for damages caused by inobservance of this manual. Keep this manual for later use and pass it by passing the product. Make sure to disconnet the case from the power grid when working inside. In spite of all efforts can remain sharpe edges inside the case. Please be careful to avoid injuries by working inside the case. In case of strange noise or smell pull the power cord out of the socket. We recommend to remove the power cord from socket in case of longer non-use.

## Disposal:

Please dispose of your product by using the special discharge point for electronic waste. Please ask your municipality or disposal company in case of further questions. Please dispose of cardboard left-overs from packaging by using the special collecting boxes of your household refuse

## Maintenance:

The product needs generally no maintenance. In order to guarantee a long and error-free operation, we recommend to clean the computer from time to time. To do this, unplug the power supply from the mains supply and vacuum out the interior with a vacuum cleaner. Be careful to avoid damaging any components or to pull out cables.

## Warranty:

We grant the statutory warranty on this product. In the event of a warranty claim, please contact your retailer from whom you purchased the product. The exact warranty conditions can be found on our website: [www.inter-tech.de](http://www.inter-tech.de).

## Contact:

Inter-Tech Elektronik Handels GmbH, Hainhäuser Weg 93, 30855 Langenhagen, Deutschland, [www.inter-tech.de](http://www.inter-tech.de)

## Technical specifications:

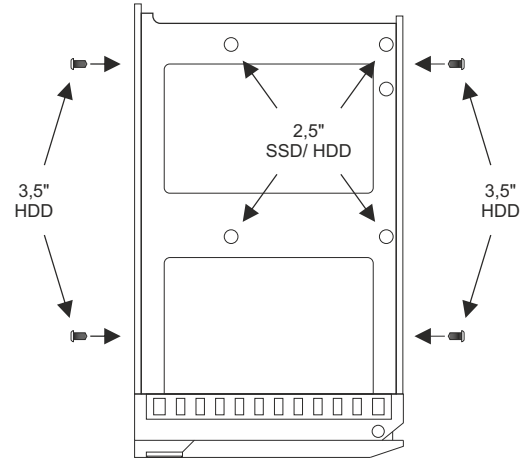
USB A	3.2 Gen1
USB C	3.2 Gen1
Backplane	Speed - 12G
	Data connector - SFF8643
	Power connector - Molex
Audio	HD

## Mounting Mainboard:

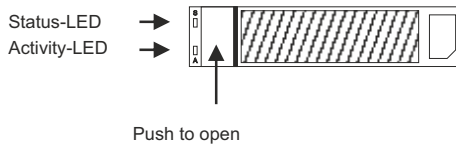
Take off the right side panel to mount the Mainboard. Use the manual of your Mainbaord for mounting and connecting it.

## Mounting SSD/HDD on removal trays:

You can fix 2,5" devices as well as 3,5" onto the removal trays. Take off the trays and fix the devices according to the following drawing.

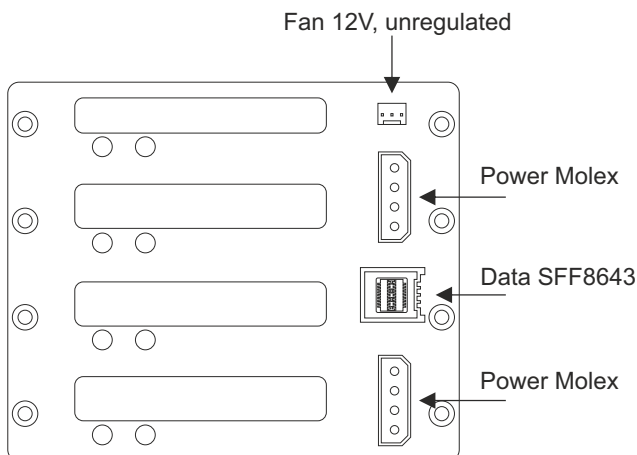


## LEDs HDD trays:



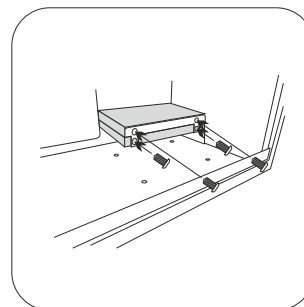
## Connection of the backplane:

You need a cable with an SFF8643 connector on one side to connect the backplane. The connector on the other side depends on your installed hardware (connection to the mainboard or a controller).



## Mounting of hard disks:

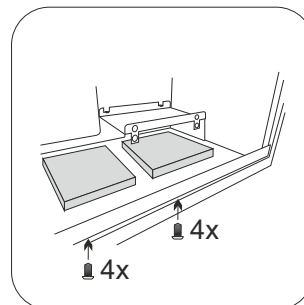
You can mount up to three 2,5" hard disks. You can't mount 3,5" hard disks.



You can put one HDD/SDD below the bracket and one above the bracket.

First insert the hard disk into the holders at the back and then press it into the holder at the front.

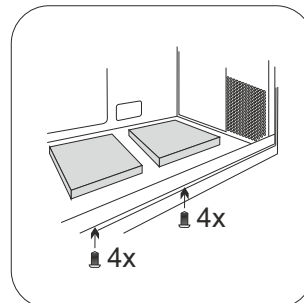
Fix it with the enclosed screws.



Power supply side:

Put the case on it's side.

Hold the HDD/SSD from the inside in the intended location and fix the hard disk through the bottom.



Mainboard side:

Put the case on it's side.

Hold the HDD/SSD from the inside in the intended location and fix the hard disk through the bottom.